



CAFE' SYSTEM 7 BASE CABINET

SETUP AND OPERATING INSTRUCTIONS

Your base cabinet provides an attractive, secure platform for your Cafe' System 7 merchandiser as well as being able to provide you with increased storage space and filter paper/grounds disposal capacity. Save these instructions for later reference.

SPECIFICATIONS:

Height (cabinet only):	24"	Width:	19"
Height (skirt set):	6"	Depth:	22.63"
Overall Height:	30"	Weight:	105 lbs.

FEATURES:

- Increased waste capacity (optional):** The base cabinet can contain a full-size waste bucket to extend the time between service calls (approximately 500 vends).
- Interior storage:** A half-width shelf (used with waste bucket) gives you room to store product, cleaning supplies, etc.
- Floor liner:** A contoured plastic floor liner is designed to contain minor spills. It can be easily cleaned in position or can be removed for more thorough cleaning.
- Use the same key:** You can use the same key with the base cabinet that unlocks your Cafe' System 7. Two extra keys are included with the base cabinet.
- Weighted base for stability:** (An inspection hole is provided in the rear of the base cabinet skirt to verify the presence of the concrete weight.)

PARTS LIST:

This is a list of all parts used to set up your base cabinet. Before you start, make sure all the parts are included.

INDEX	PART NUMBER	DESCRIPTION	QTY.
1	6401009	CUTOUT FLOOR LINER	1
2	6401844	WASTE BUCKET SPACER	1
3	6231478	WASTE BUCKET LINER BAG	10
4	6401824	NARROW BASE CABINET SHELF	1
5	1451097	SCREW - #8-32, BLACK	16
6	6401866	GROUNDS OPENING DEFLECTOR	1
7	6401819	BASE CABINET MOUNTING ANGLE	2
8	6401052	SCREW - 5/16-18 x .62"	4
9	6401840	GROUNDS OPENING ENCLOSURE	1
10	6231475	WASTE BUCKET	1
11	6401857	CUTOUT GROUNDS BUCKET	1
12	6401800	BASE CABINET ASSEMBLY	1
	6401865	INSTRUCTIONS - BASE CABINET	1
	2221920	KEY - DOOR LOCK	2



SETUP THE BASE CABINET FOR USE WITH A WASTE BUCKET:

1. Remove the floor liners and grounds buckets from the base cabinet (12) and the Cafe' System 7.
2. Place the floor liner you removed from the Cafe' System 7 into the base cabinet.
3. Remove two screws securing the plate to the bottom of the Cafe' System 7 as shown (figure 1). Remove the plate.
4. Place the floor liner you removed from the base cabinet (1) into the Cafe' System 7. (This floor liner has a rectangular hole to allow coffee grounds and filter paper to pass through it into the base cabinet.)
5. Install the waste bucket spacer (2) to the holes on the right side of the cabinet as shown (figure 2). Secure with two screws (5).
6. Install the narrow base cabinet shelf (4) in the desired location on the left side of the base cabinet. Secure with screws (5). (The recommended mounting location is the fourth set of holes from the top.)

COMPLETE THE BASE CABINET INSTALLATION:

1. Place the base cabinet in its permanent location. Using a spirit level, level the cabinet side to side and front to back using the leveler feet as shown (figure 3).

NOTE

*The following step **MUST** be completed to ensure that your machine location will remain sanitary. The weatherstrip is designed to prevent spilled liquids and solids (sugar, creamer, chocolate powder, etc.) from getting under the Cafe' System 7 and becoming a health risk.*

2. Peel the backing off the weatherstrip (included with your Cafe' System 7). Attach the weatherstrip to the bottom perimeter of the Cafe' System 7, as far toward the edges as possible.
3. Place the Cafe' System 7 on top of the base cabinet. Line it up so all four sides of the Cafe' System 7 are flush with the base cabinet. If you are using the waste bucket option, make sure the hole in the bottom of the Cafe' System 7 lines up with the hole in the top of the base cabinet.
4. Position one of the base cabinet mounting angle brackets (7) as shown (figure 4). The vertical side of the angle bracket **must** be toward the inside of the cabinet to provide maximum strength.
5. Secure the Cafe' System 7 to the base cabinet by inserting a thread cutting screw (8) up through the front hole of the angle bracket and the top of the base cabinet into the plastic foot of the Cafe' System 7. **YOU ARE CUTTING THREADS IN THE PLASTIC FEET. TAKE CARE WHEN TIGHTENING THE SCREWS TO AVOID STRIPPING THE PLASTIC FEET!** Tighten the screw just enough so the angle bracket does not move. Repeat for the rear hole.
6. Repeat steps 4 and 5 for the other side. If you are not using a waste bucket, you have completed the setup. If you are using the waste bucket, continue with step 7.
7. Install the grounds opening enclosure (9) into the top of the base cabinet from the bottom side as shown (figure 5). Install the grounds opening deflector (6) as shown in figure 5 beneath the grounds opening enclosure. These two parts will ensure all spent coffee grounds are directed into the waste bucket (10). Secure the grounds opening enclosure with four screws (5).
8. Place a waste bucket liner bag (3) inside the waste bucket (10) (figure 6).
9. Place the waste bucket (10) inside the base cabinet.



10. Place the cutout grounds bucket (11) into the floor liner of the Cafe' System 7 as shown (figure 6).
11. When you install the filter paper in the Cafe' System 7, start it through the cutout grounds bucket (11).
12. Refer to the VEND LIMIT step of the **SET UP CONFIGURATION** section. Set the vend limit number to about 400-500 vends.

NOTE

The number of vends needed to fill the waste bucket is determined by the drink sizes used and the amount of coffee grounds used per drink. Start with a low number setting (about 400) and see how full the waste bucket is when that number is reached. If it is not full, increase the number. A few tries should give you the proper setting.

13. When emptying the large waste bucket (10), it may also be necessary to empty the cutout grounds bucket (11) if some coffee grounds have collected in it. **Cleaning tip:** Before you remove the cutout grounds bucket, brush dry coffee grounds through the hole in the grounds bucket into the large waste bucket below. This will expedite cleaning.

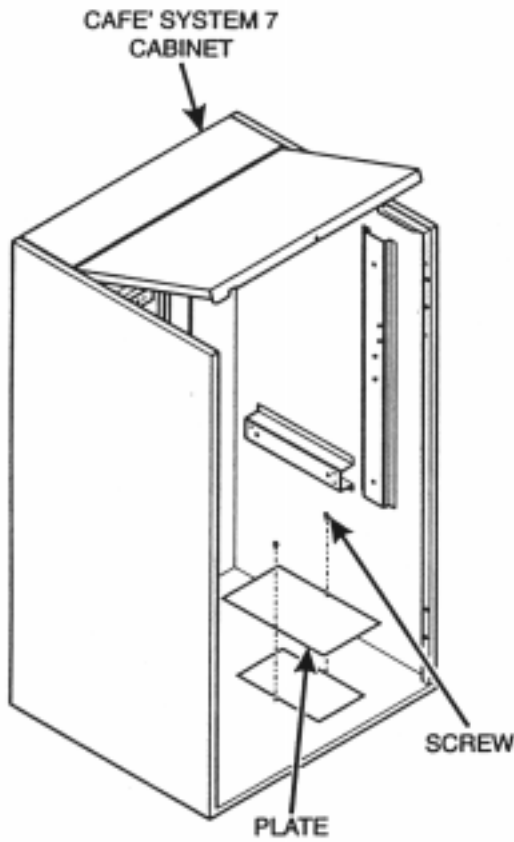


Figure 1

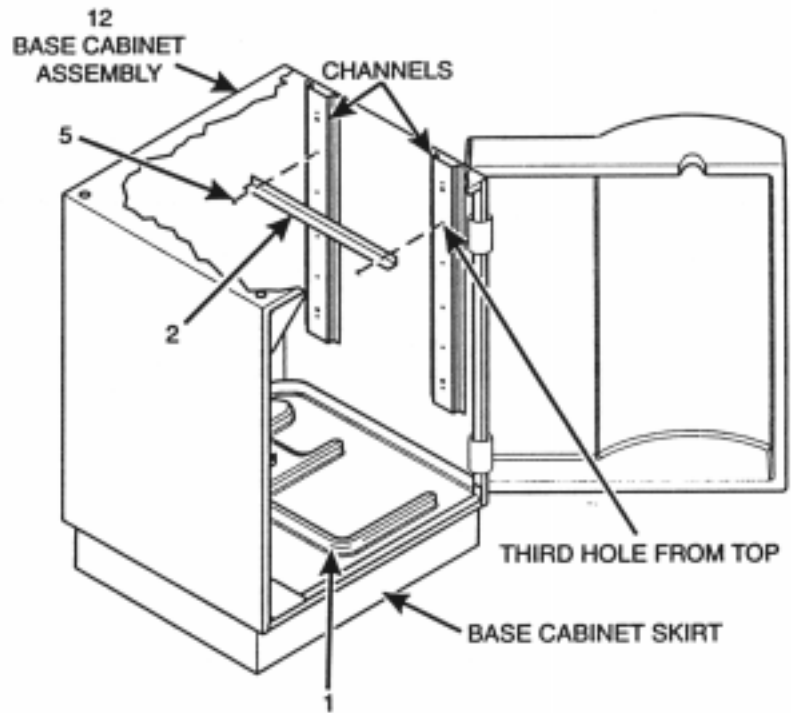


Figure 2

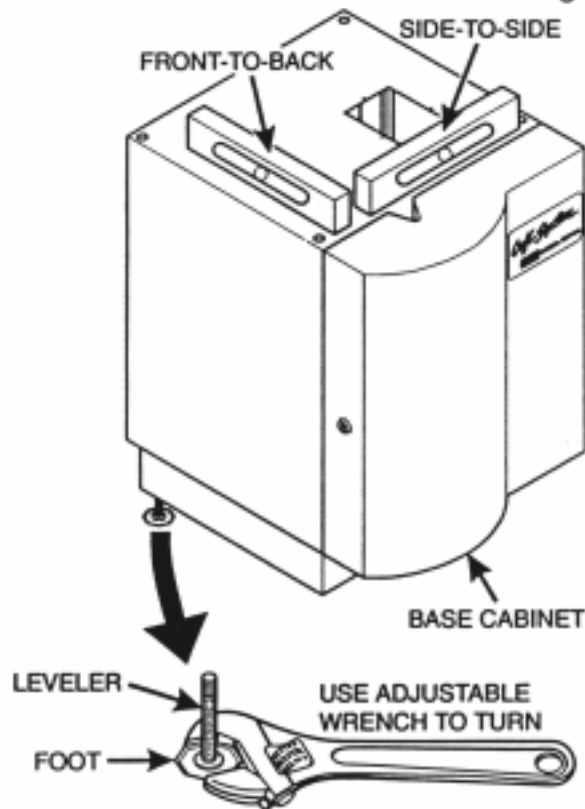


Figure 3

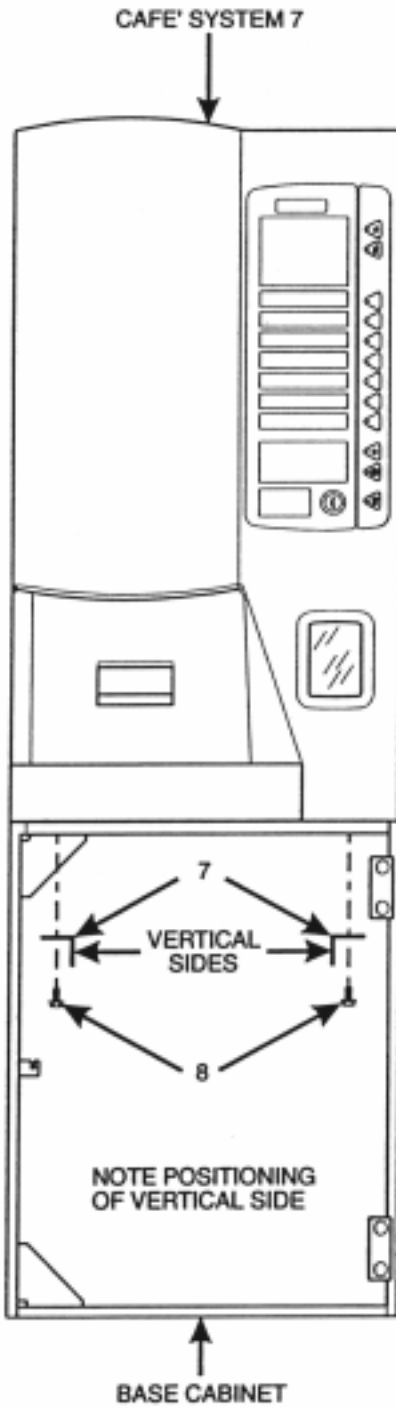


Figure 4

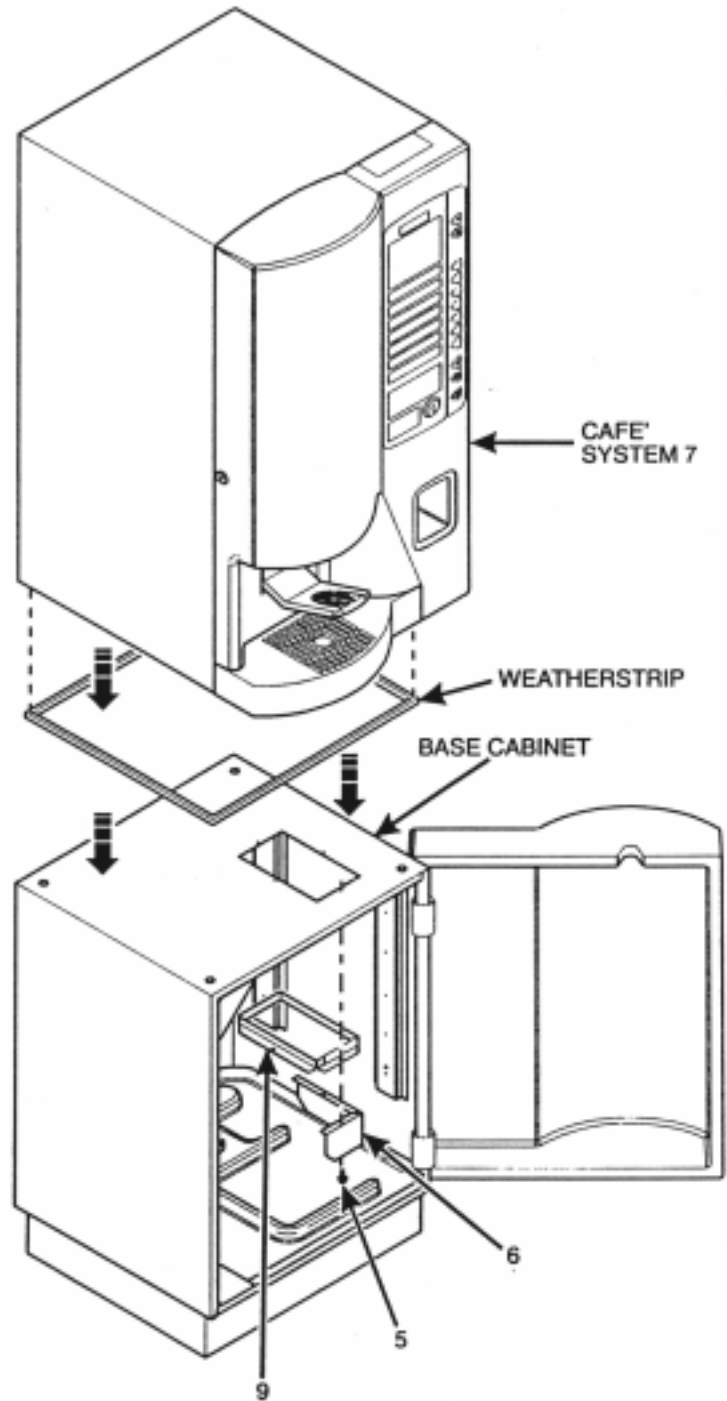


Figure 5

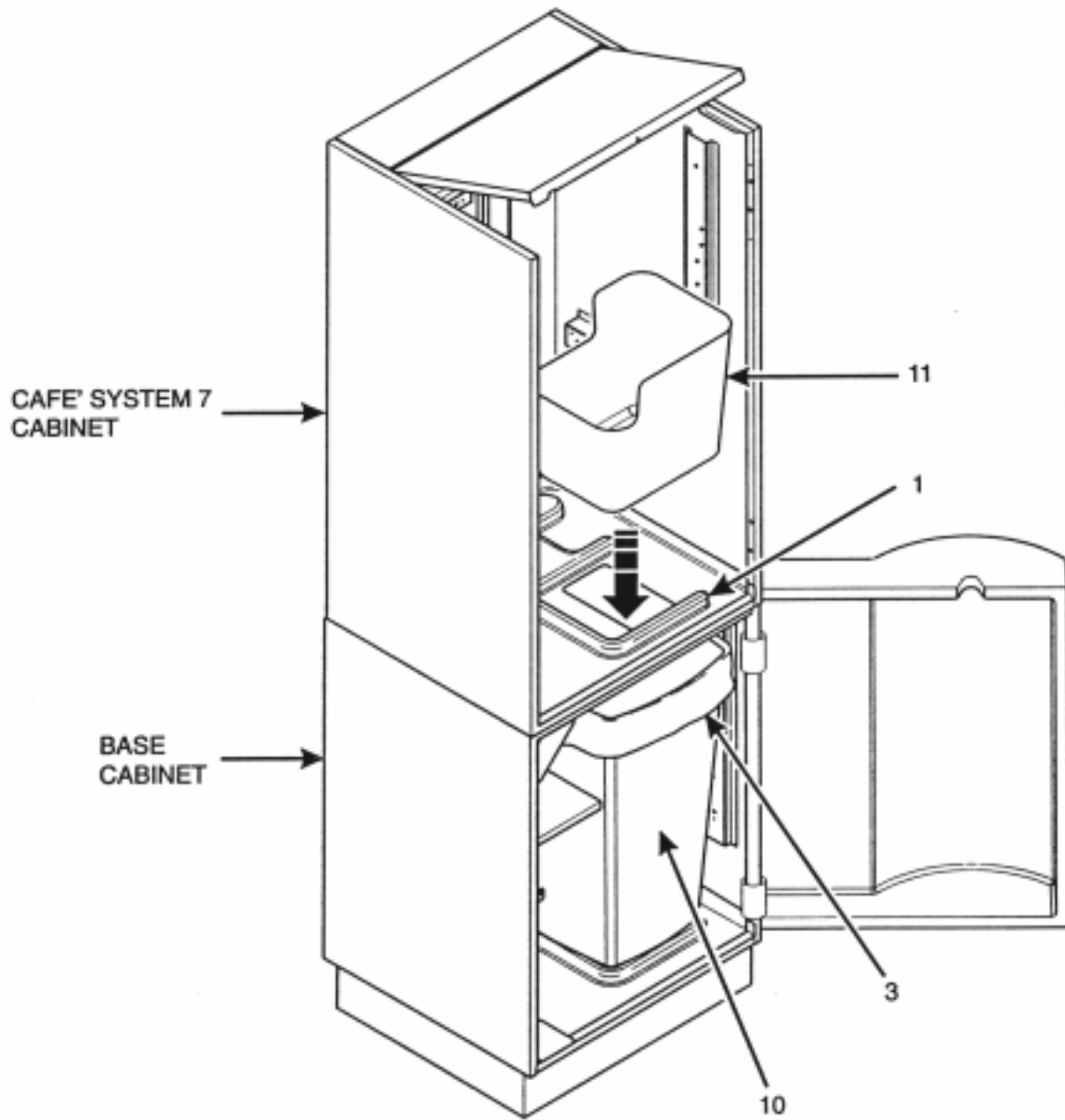


Figure 6